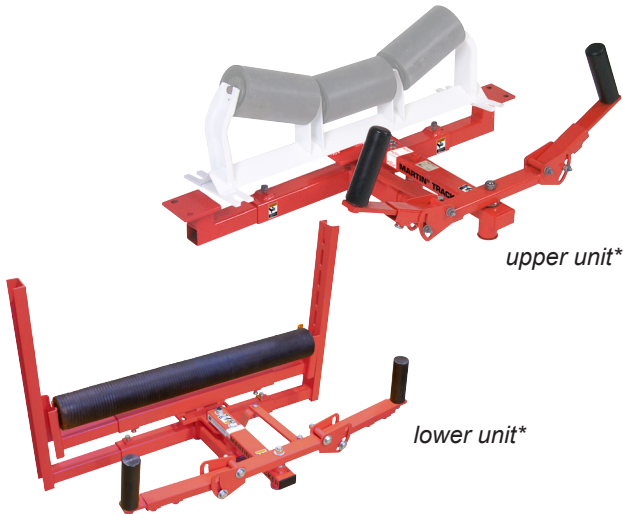


# Martin® Tracker™



upper unit\*

lower unit\*

The **Martin® Tracker™** provides immediate, continuous precision adjustment of wandering conveyor belts. The Martin® Tracker™ Belt Tracking System works where other belt training devices fail to reduce edge damage, prevent spillage, and extend belt life.

Available in Lower Units for the conveyor's return side and Upper Units for installation on the carrying side of the conveyor, Martin® Tracker units are available in three models to match application conditions.

## INSTALLATION GUIDELINES

To keep the belt centered in the loading zone, Martin Engineering recommends the installation of one Martin® Tracker™ Lower Unit on the conveyor's return side at a point approximately five times the belt width before the belt reaches the tail pulley. A Martin® Tracker™ Upper Unit should be installed after the load zone on belts wider than 42 inches (1000 mm). Additional units may be needed to keep the belt tracking perfectly.

## DUTY RATING

### Standard-Duty

The Martin® Tracker™ is designed for applications under typical industrial material handling conditions.

### Heavy-Duty

The Martin® Tracker™ HD is designed to withstand the stress associated with wider, thicker belts moving at higher speeds and carrying heavier loads.

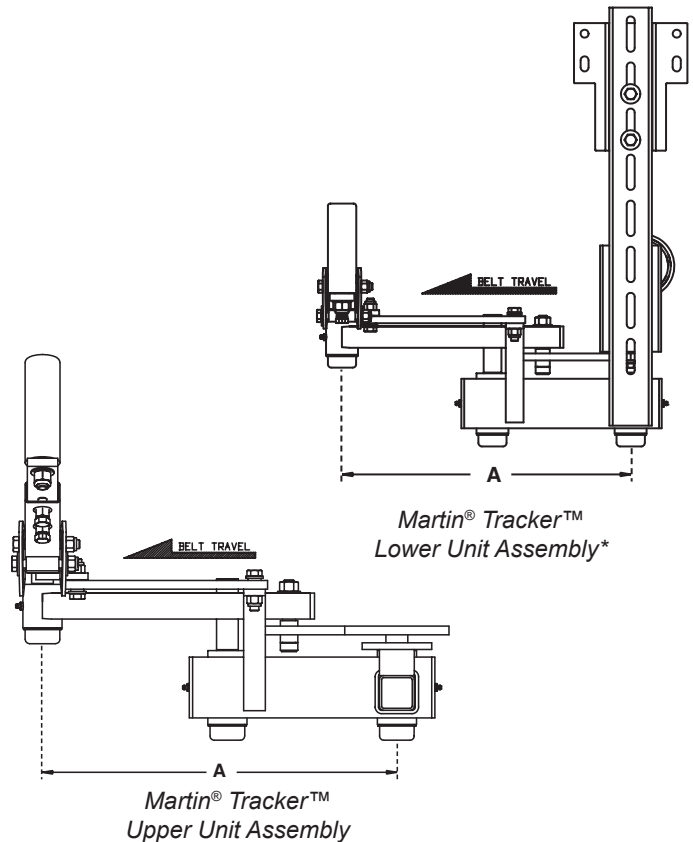
### Extra Heavy-Duty

The Martin® Tracker™ XHD is engineered to survive in the most rugged of applications.

## NOTES

The steering roll on the Martin® Tracker™ must be supplied by the customer. Typically the steering roll is an existing customer roller that was removed from the conveyor to allow installation of the belt tracking system. The Martin® Tracker™ Units work best with a rubber or rubber-covered steering roll.

This Martin® Tracker™ is not suitable for reversing conveyors or belts with substantial rollback. For reversing applications contact Martin Engineering.



Martin® Tracker™ Lower Unit Assembly\*

Martin® Tracker™ Upper Unit Assembly

## DIMENSIONS (A)

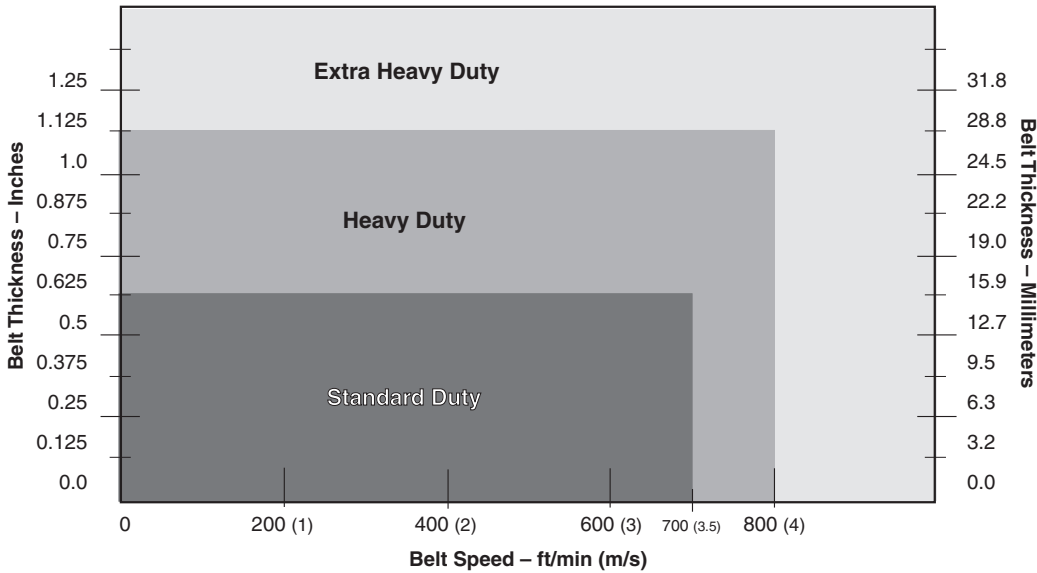
| Duty Rating   | Upper Unit |       | Lower Unit |       |
|---------------|------------|-------|------------|-------|
|               | in.        | (mm)  | in.        | (mm)  |
| Standard Duty | 20.38      | (518) | 20.38      | (518) |
| Heavy Duty    | 25.17      | (639) | 25.17      | (639) |

\* Idler Roll is shown for reference only and is not included with order.

# TECHNICAL DATA SHEET

## SELECTION GUIDE

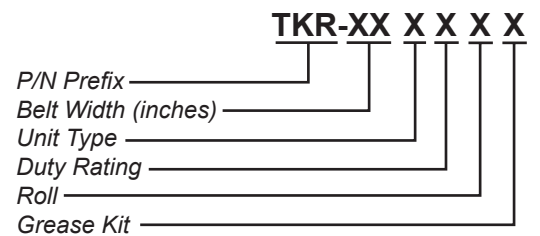
The Martin® Tracker™ is available in three models to match the requirements of each application. Select the appropriate unit based on belt thickness and conveyor speed.



## ORDER INFORMATION

|                         | Belt Width<br>in. (mm) | Upper Unit |                        | Lower Unit  |                        |
|-------------------------|------------------------|------------|------------------------|-------------|------------------------|
|                         |                        | P/N        | Ship Weight<br>lb (kg) | P/N         | Ship Weight<br>lb (kg) |
| <b>STANDARD DUTY</b>    | 24 (500-600)           | TKR-24US   | 86 (39)                | TKR-24LS    | 138 (63)               |
|                         | 30 (650-800)           | TKR-30US   | 86 (39)                | TKR-30LS    | 140 (64)               |
|                         | 36 (800-1000)          | TKR-36US   | 89 (40)                | TKR-36LS    | 142 (64)               |
|                         | 42 (1000-1200)         | TKR-42US   | 98 (44)                | TKR-42LS    | 155 (70)               |
|                         | 48 (1200-1400)         | TKR-48US   | 98 (44)                | TKR-48LS    | 155 (70)               |
|                         | 54 (1400-1600)         | TKR-54US   | 99 (45)                | TKR-54LS    | 155 (70)               |
| <b>HEAVY DUTY</b>       | 36 (800-1000)          | TKR-36UH   | 170 (77)               | TKR-36LH    | 253 (115)              |
|                         | 42 (1000-1200)         | TKR-42UH   | 180 (82)               | TKR-42LH    | 275 (125)              |
|                         | 48 (1200-1400)         | TKR-48UH   | 190 (86)               | TKR-48LH    | 278 (126)              |
|                         | 54 (1400-1600)         | TKR-54UH   | 195 (88)               | TKR-54LH    | 282 (128)              |
|                         | 60 (1600-1800)         | TKR-60UH   | 214 (97)               | TKR-60LH    | 321 (146)              |
|                         | 72 (1800-2000)         | TKR-72UH   | 214 (97)               | TKR-72LH    | 321 (146)              |
| <b>EXTRA HEAVY DUTY</b> | 48 (1200-1400)         |            |                        | 37249-48LM  | 420 (191)              |
|                         | 54 (1400-1600)         | 37249-54UM | 250 (113)              | 37249-54LM  | 423 (192)              |
|                         | 60 (1600-1800)         | 37249-60UM | 250 (113)              | 37249-60LM  | 423 (192)              |
|                         | 66 (1600-1800)         | 37249-66UM | 250 (113)              | 37249-66LM  | 423 (192)              |
|                         | 72 (1800-2000)         | 37249-72UM | 271 (123)              | 37249-72LM  | 462 (209)              |
|                         | 84 (2000-2200)         | 37249-84UM | 271 (123)              | 37249-84LM  | 462 (209)              |
|                         | 96 (2200-2400)         | 37249-96UM | 305 (138)              | 37249-96LM  | 486 (220)              |
|                         | 108 (2400-2700)        |            |                        | 37249-108LM | 486 (220)              |

## NOMENCLATURE



### UNIT TYPE

U: Upper  
 L: Lower

### DUTY RATING

S: Standard Duty  
 H: Heavy Duty

### ROLL (Lower Tracker only)

R: With Rubber-Lagged Roll  
 Ø: Without Rubber-Lagged Roll

### GREASE OPTIONS

G: With Grease Kit  
 Ø: Without Grease Kit



### Martin Engineering USA

One Martin Place  
 Neponset, IL 61345-9766 USA  
 800 544 2947 or 309 852 2384  
 Fax 800 814 1553  
 www.martin-eng.com

**COMPANY WITH  
 QUALITY SYSTEM  
 CERTIFIED BY DNV  
 = ISO 9001:2008 =**

**Problem Solved™ GUARANTEED!**

Form No. L3298-11-08/12  
 © Martin Engineering Company 1997, 2012